

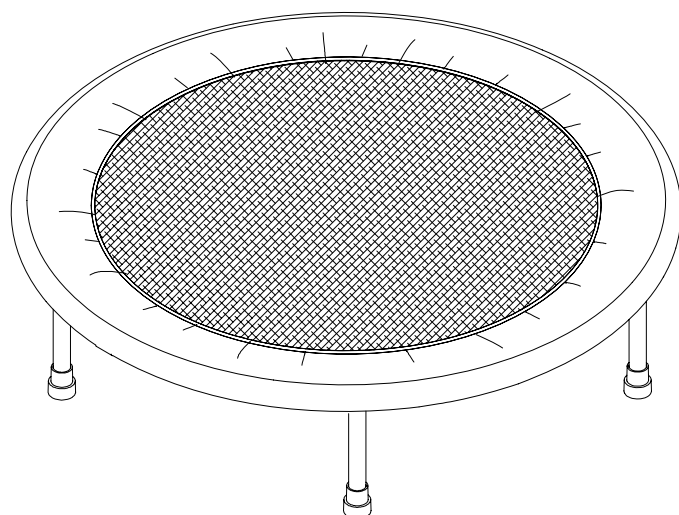
# **InMOTION**<sup>®</sup>

TRAMPOLINE

## Owner's Manual

## Assembly, Installation, Care, Maintenance, and Use Instructions.

**WARNING:** Read these materials prior to assembling and using this trampoline.



Product May Vary Slightly From Pictured.

This Product is Produced Exclusively by



2040 N. ALLIANCE, SPRINGFIELD, MO 65803

Customer Service Number

1 (800) 375-7520

[www.staminaproducts.com](http://www.staminaproducts.com)

© 2006 Stamina Products, Inc.  
2006, 07

### **! WARNING !**

1. **DO NOT** attempt or allow somersaults. Landing on the head or neck can cause serious injury, paralysis, or death even when landing in the middle of the bed.
2. Do not allow more than one person on the trampoline.
3. Always use two or more strong people to unfold and fold the trampoline. When unfolding, the rails will try to spring back into the folded position. **FAILURE TO USE TWO OR MORE STRONG PEOPLE MAY ALLOW THE RAILS TO SPRING BACK INTO THE FOLDED POSITION AND STRIKE SOMEONE.**
4. Use trampoline only with mature knowledgeable supervision.
5. Exercise can present a health risk. Consult a physician before beginning any exercise program with this equipment.
6. If you feel faint or dizzy, immediately discontinue use of this equipment.
7. Keep others and pets away from equipment when in use.
8. Always make sure all parts are tightened prior to each use.
9. Weight on this trampoline should not exceed 250 lbs.
10. This trampoline is not recommended for children.

Serious bodily injury or death can occur if the above warnings are not followed or if this equipment is not assembled and used according to all instructions.

When calling for parts or service, please specify the following model number.

35-1625DW

Licensed Under U.S. Patent

6,237,169B1

Other Patents Applied and Are Pending

MADE IN CHINA

# CALL US FIRST



## CUSTOMER SERVICE NUMBER 1 (800) 375-7520

---

**THANK YOU FOR PURCHASING THE  
INMOTION TRAMPOLINE**

Simply follow the few assembly instructions set forth in this manual. Within a few minutes you will be getting your body into shape and on your way to achieving a happier and healthier lifestyle.

Should you have any questions, please call our Customer Service Department toll-free number, 1 (800) 375-7520, Monday - Thursday, 7:30 A.M. - 5:00 P.M., Central Time. Friday, 8:00 A.M. - 3:00 P.M., Central Time.

### TABLE OF CONTENTS

	Page
Safety Instructions	3
Before You Begin	4
Product Parts Drawing	4
Assembly Instructions	5
Installation Instructions	7
Care and Maintenance Instructions	7
Storage Instructions	8
Use Instructions	9
Workout Program	10
Warm-up and Cool-Down	11
Basic Workout	12
Warranty	14
Fax/Mail Ordering Form	15

# SAFETY INSTRUCTIONS

**WARNING: To reduce the risk of serious injury, read the following Safety Instructions before using the INMOTION® trampoline.**

1. Misuse and abuse of this trampoline is dangerous and can cause serious injuries.
2. Trampolines, being rebounding devices, propel the performer to unaccustomed heights and into a variety of body movements.
3. **When unfolding or folding the trampoline, the rails will try to spring into the folded position.**
4. **Always use two or more strong people to unfold or fold the INMOTION trampoline. Failure to use two or more strong people may allow the rails to spring back into the folded position and strike someone which can cause serious bodily injury or death.**
5. All purchasers and all persons using the **INMOTION** trampoline must become familiar with the manufacturer's recommendations for proper assembly, use and care of the **INMOTION** trampoline, as well as being alert to the performer's own limitations in the execution of trampoline skills. Assembly Instructions, Safety Instructions, Trampoline Fundamentals, and Warning Labels are included to promote safe, enjoyable use of the **INMOTION** trampoline.
6. The owner and supervisors of the trampoline are responsible to make all users aware of the Safety Instructions and practices in the use instructions.
7. Place the **INMOTION** trampoline on a level surface before use.
8. Use the **INMOTION** trampoline in a well lighted area. Artificial illumination may be required for indoor or shady areas.
9. Do not place the **INMOTION** trampoline on an elevated surface. The **INMOTION** trampoline should be at floor level or ground level.
10. Inspect your **INMOTION** trampoline before each use. Make sure the safety pad is in place. Replace any worn, defective, or missing parts.
11. Make sure the floor or ground around the **INMOTION** trampoline is clear of all objects that may cause injury if you step on them when dismounting.
12. Adequate overhead clearance is essential. Provide adequate clearance for ceilings, ceiling lights, ceiling fans, wires and tree limbs. Failure to provide adequate head clearance can result in head or neck injury. A minimum of 24 feet is recommended for outdoor trampolines.
13. Do not allow children to use the **INMOTION** trampoline. The **INMOTION** trampoline is not a toy, it is for use by adults only. Use the trampoline only with mature knowledgeable supervision.  
**NOTE:** The **TRAMPOLINE USE INSTRUCTIONS** sign is a standard sign that is supplied to comply with **ASTM F381**. This sign indicates that trampolines are suitable for use by children over six years of age. However, the **INMOTION** trampoline is not recommended for children of any age.
14. Lateral clearance is essential. Place the **INMOTION** trampoline away from walls, structures, fences, play areas, furniture, and other exercise equipment. Maintain a clear space on all sides of the trampoline.
15. Keep small children and pets away from the **INMOTION** trampoline at all times including use and assembly of the **INMOTION** trampoline.
16. The weight limit on the **INMOTION** trampoline is 250 pounds.
17. Do not use the **INMOTION** trampoline with socks only. Good traction is very important when mounting, using, and dismounting the **INMOTION** trampoline. Bare feet are acceptable but we recommend good footwear with rubber non-skid soles such as walking, running or cross-training shoes.
18. Wear appropriate clothing when exercising; do not wear loose clothing that could become caught in the **INMOTION** trampoline.
19. The **INMOTION** trampoline should be used by only one person at a time.
20. Remove any obstructions from beneath the **INMOTION** trampoline.
21. The surface of the bed should be dry.
22. Be careful to maintain your balance when mounting, using, dismounting, or assembling the **INMOTION** trampoline. Loss of balance may result in a fall and serious bodily injury.
23. Do not step on the safety pad when mounting, using or dismounting the **INMOTION** trampoline.
24. Do not attempt any gymnastic or acrobatic maneuvers on the **INMOTION** trampoline.
25. Stop exercising before attempting to dismount the **INMOTION** trampoline. To avoid sprains and broken bones, come to a complete stop before dismounting.
26. Use the **INMOTION** trampoline only as described in this manual.
27. Always store the **INMOTION** trampoline indoors in a dry place.
28. Secure the **INMOTION** trampoline against unauthorized and unsupervised use.
29. Remove the safety pad before folding the **INMOTION** trampoline for storage. Failure to remove the safety pad before folding will result in damage to the safety pad.

**WARNING: Before starting any exercise or conditioning program you should consult with your personal physician to see if you require a complete physical exam. This is especially important if you are over the age of 35, have never exercised before, are pregnant, or suffer from any illness. READ AND FOLLOW THE SAFETY INSTRUCTIONS. FAILURE TO FOLLOW THESE INSTRUCTIONS CAN RESULT IN SERIOUS BODILY INJURY.**

## BEFORE YOU BEGIN

Thank you for choosing the **INMOTION** trampoline. We take great pride in producing this quality product and hope it will provide many hours of quality exercise to make you feel better, look better and enjoy life to its fullest.

Yes, it's a proven fact that a regular exercise program can improve your physical and mental health. Too often, our busy lifestyles limit our time and opportunity to exercise. The **INMOTION** trampoline provides a convenient and simple method to begin your assault on getting your body in shape and achieving a happier and healthier lifestyle.

Before reading further, please review the drawing below and familiarize yourself with the parts that are labeled.

Read this manual carefully before using the **INMOTION** trampoline.

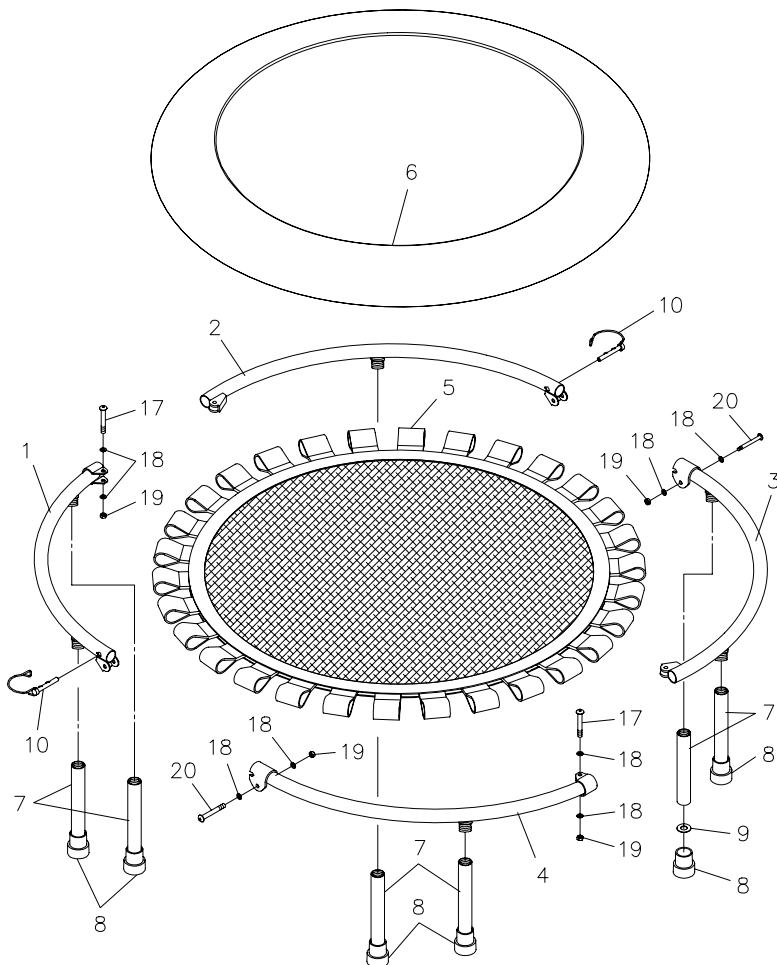
Although Stamina tries to manufacture its products with the finest materials and uses the highest standards of manufacturing, occasionally a part that does not fit, is the incorrect size, or is otherwise inappropriate is found. Even with the highest inspection and quality controls in place, these things will happen occasionally. Please do not return the product. Contact us **FIRST!**

If a part is missing or defective, please call us toll free at 1-800-375-7520 (in the U.S.). Our Customer Service Staff is available to assist you from 7:30 A.M. to 5:00 P.M. (Central Time) Monday through Thursday and 8:00 A.M. to 3:00 P.M. (Central Time) on Friday.

If you would like to contact us on-line, go to our website at [www.staminaproducts.com](http://www.staminaproducts.com) and access the Customer Service section.

Be sure to have the name and model number of the product available when you contact us.

## PRODUCT PARTS DRAWING



Part No. and Description	Qty
1 Rail A	1
2 Rail B	1
3 Rail C	1
4 Rail D	1
5 Mat	1
6 Safety Pad	1
7 Leg	6
8 Leg Cap	6
9 Cap Washer	6
10 Secure Pin	2
15 Manual	1
16 Use Instructions Sign (Not Shown)	1
17 Bolt, Round Head(M6 x 1 x 35mm)	2
18 Washer (M6)	8
19 Nylock Nut (M6 x 1)	4
20 Bolt, Round Head(M6 x 1 x 42mm)	2

## ASSEMBLY INSTRUCTIONS

Place all parts from the box in a cleared area and position them on the floor in front of you. Remove all packing materials from your area and place them back into the box. Do not dispose of the packing materials until assembly is completed. Read each step carefully before beginning. If you are missing a part please call our toll-free number for assistance **1 (800) 375-7520** or e-mail us at:

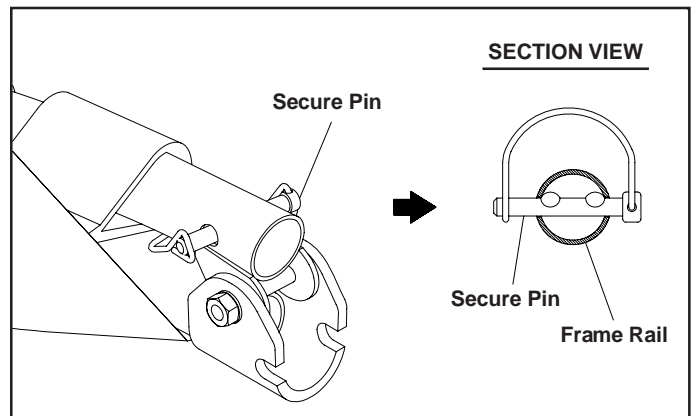
**parts@staminaproducts.com**

### WARNING :

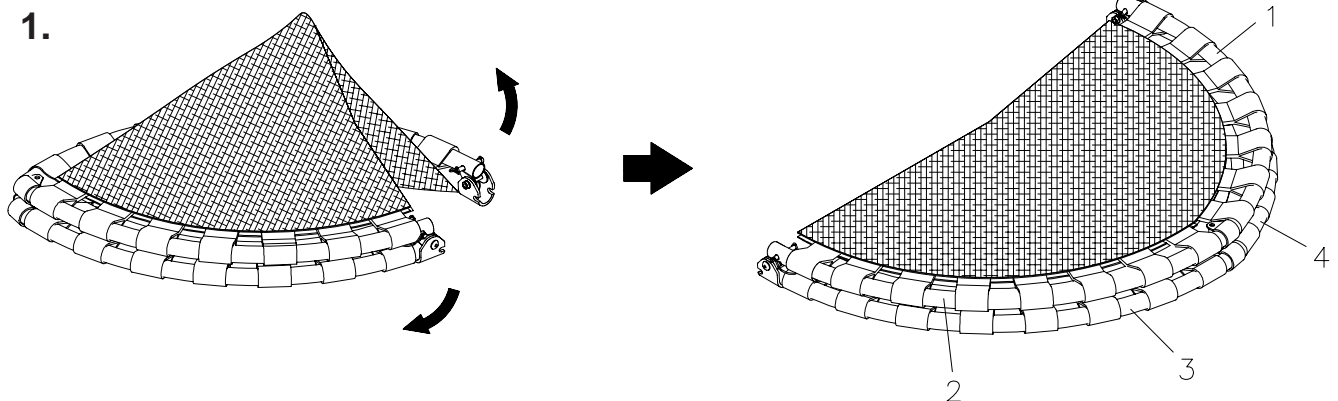
- 1. ALWAYS USE TWO OR MORE STRONG PEOPLE TO UNFOLD OR FOLD THE INMOTION TRAMPOLINE. FAILURE TO USE TWO OR MORE STRONG PEOPLE MAY ALLOW THE RAILS TO SPRING BACK INTO THE FOLDED POSITION AND STRIKE SOMEONE WHICH CAN CAUSE SERIOUS BODILY INJURY OR DEATH.**
- 2. Keep children away from the INMOTION trampoline during assembly.**
- 3. Keep fingers away from the ends of the rails in the hinge area when unfolding the INMOTION trampoline. The INMOTION trampoline will snap into the unfolded position. Serious injury can occur if fingers are caught between the ends of the RAILS.**
- 4. The SAFETY PAD(6) must be installed before using the INMOTION trampoline.**

### NOTE :

**BEFORE** assembly, verify that the **SECURE PINS(10)** are properly inserted in the Frame Rail. The two protrusions must be assembled inside the Frame Rail as shown in the SECTION VIEW of the illustration. Otherwise, it could damage the **SECURE PINS(10)** during Assembly Step 3.



**STEP 1:** Lay the trampoline on the floor and open the rails. The trampoline will look as shown in illustration 1.



# ASSEMBLY INSTRUCTIONS

## STEP 2

**NOTE:** Make sure the **SECURE PINS(10)** are inserted into the ends of **RAILS(1, 2)** and properly secured by the Wire Ring. Both ends of the **SECURE PINS(10)** should have approximately 1/8 inch between the **RAILS(1, 2)** and the Wire Ring. Refer to illustration 2.

**STOP!** **WARNING:** • **ALWAYS USE TWO OR MORE STRONG PEOPLE TO UNFOLD OR FOLD THE INMOTION TRAMPOLINE. FAILURE TO USE TWO OR MORE STRONG PEOPLE MAY ALLOW THE RAILS TO SPRING BACK INTO THE FOLDED POSITION AND STRIKE SOMEONE WHICH CAN CAUSE SERIOUS BODILY INJURY OR DEATH.**

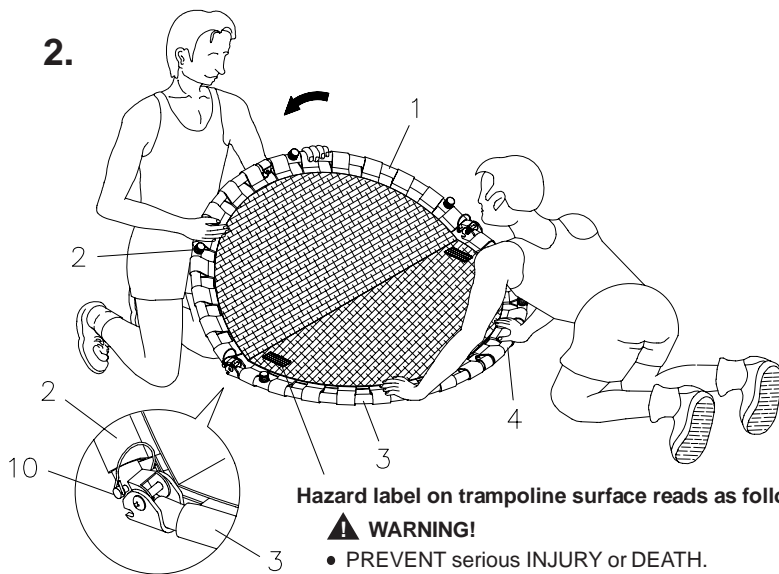
- Keep fingers away from the ends of the rails in the hinge area when unfolding the **INMOTION** trampoline. Serious injury can occur if fingers are caught between the ends of the **RAILS**.

Hold **RAILS(3, 4)** and push down on **RAILS(1, 2)** to unfold the **INMOTION** trampoline to the flat position. The **RAILS(1, 4)** and **RAILS(2, 3)** should snap together and be locked by the **SECURE PINS(10)** when you reach the flat position. Refer to illustration 2.

## STEP 3

Slide the **SAFETY PAD(6)** over the rail frame. Make sure the holes in **SAFETY PAD(6)** fit over the threaded connectors properly. Refer to illustration 3.

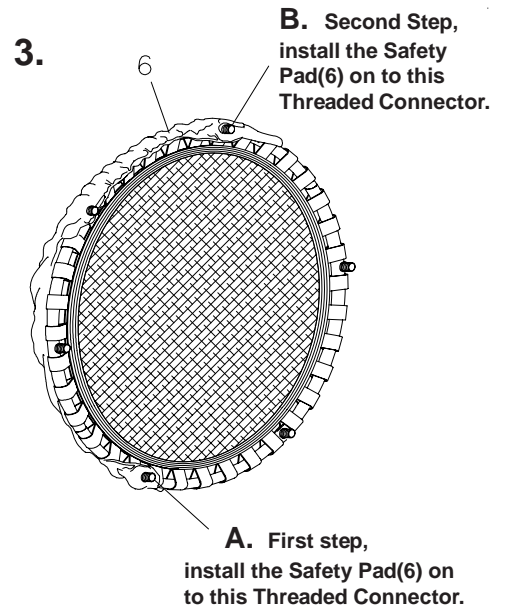
**HINT:** Install one hole over a threaded connector. The next hole installed should be on the connector on the opposite side of the trampoline.



Hazard label on trampoline surface reads as follows:

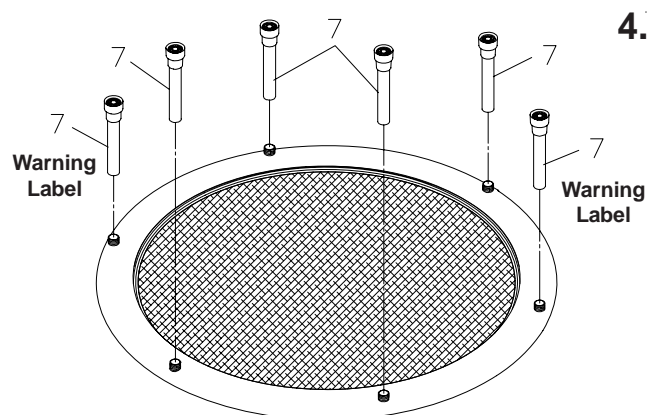
**⚠ WARNING!**

- PREVENT serious INJURY or DEATH.
- Rails can SPRING back and STRIKE someone.
- ALWAYS fold and unfold carefully with TWO or more STRONG people.
- Do NOT remove this tag.



## STEP 4

The two **LEGS(7)** with a Warning Label must be on opposite sides of the **INMOTION** trampoline. Screw one of the **LEGS(7)** with a Warning Label onto a threaded connector on the rail frame. Attach the other **LEG(7)** with a Warning Label to the threaded connector directly opposite the other **LEG(7)** with a Warning Label. Screw the other four **LEGS(7)** onto the threaded connectors on the rail frame. Refer to illustration 4.



---

## ASSEMBLY INSTRUCTIONS

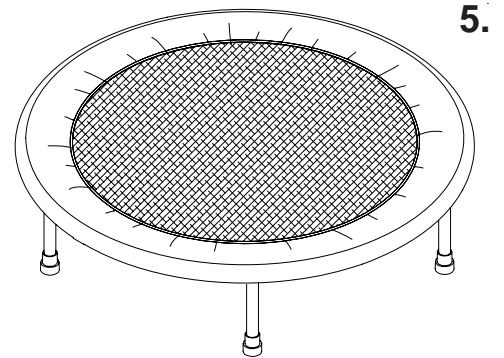
**WARNING:** The **SAFETY PAD(6)** must be securely attached to the frame before using the trampoline. It must be properly positioned as shown in illustration 5.

### STEP 5

Place the trampoline in the normal use position. Make sure that the **SAFETY PAD(6)** covers the Elastic Bands on the **INMOTION** trampoline. Stand on the trampoline to make all six legs set flat on the floor. Refer to illustration 5.

### STEP 6

Post the **USE INSTRUCTIONS SIGN(15)** in a highly visible and safe location. The **USE INSTRUCTIONS SIGN(15)** shall be placed such that it will be readily visible to the intended viewer.



CORRECT PLACEMENT OF SAFETY PAD

## INSTALLATION INSTRUCTIONS

1. Adequate overhead clearance is essential. For example, a minimum of 24 feet from ground level is recommended for large outdoor trampolines. When using your **INMOTION** trampoline, be sure to provide clearance for ceilings, ceiling lights, ceiling fans, wires, tree limbs, and other possible hazards.
2. Lateral clearance is essential. Place the trampoline away from walls, structures, fences, play areas, furniture, and other exercise equipment. Maintain a clear space on all sides of the trampoline.
3. Place the trampoline on a level surface before use.
4. Use the trampoline in a well lighted area. Artificial illumination may be required for indoor or shady areas.
5. Secure the trampoline against unauthorized and unsupervised use.
6. Remove any obstructions from beneath the trampoline.
7. The owner and supervisors of the trampoline are responsible to make all users aware of practices specified in the use instructions.

## CARE AND MAINTENANCE

Inspect the **INMOTION** trampoline before each use and replace any worn, defective, or missing parts. The following conditions could represent potential hazards:

1. Missing, improperly positioned, or insecurely attached frame padding.
2. Punctures, frays, tears, or holes in the bed, elastic bands, or frame padding.
3. Deterioration in the stitching or fabric of the bed or frame padding.
4. Ruptured or damaged elastic bands.
5. A bent or broken frame.
6. A sagging bed.
7. Sharp protrusions on the frame or suspension system.

## STORAGE

To store the **INMOTION** trampoline simply keep it in a clean dry place.

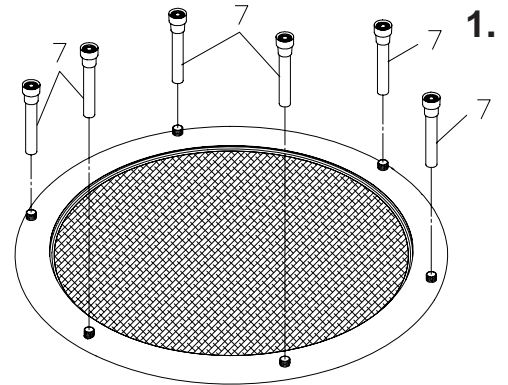
# STORAGE INSTRUCTIONS

The **INMOTION** trampoline can be folded as illustrated for easy storage. Please follow the following process:

**NOTICE:** • **ALWAYS USE TWO OR MORE STRONG PEOPLE TO UNFOLD OR FOLD THE INMOTION TRAMPOLINE. FAILURE TO USE TWO OR MORE STRONG PEOPLE MAY ALLOW THE RAILS TO SPRING BACK INTO THE FOLDED POSITION AND STRIKE SOMEONE WHICH CAN CAUSE SERIOUS BODILY INJURY OR DEATH.**

- Remove the safety pad before folding the trampoline for storage. Failure to remove the pad will result in damage to the pad.

**STEP 1:** Unscrew the **LEGS(7)** from the trampoline. Refer to illustration 1.

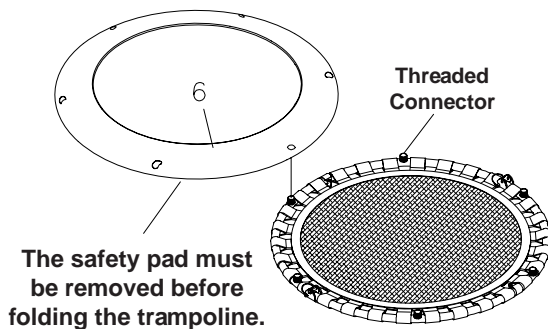


**STEP 2:** Remove the **SAFETY PAD(6)** from the frame. After the **SAFETY PAD(6)** is removed, place the trampoline on the floor with the threaded connectors pointing up. Refer to illustration 2.

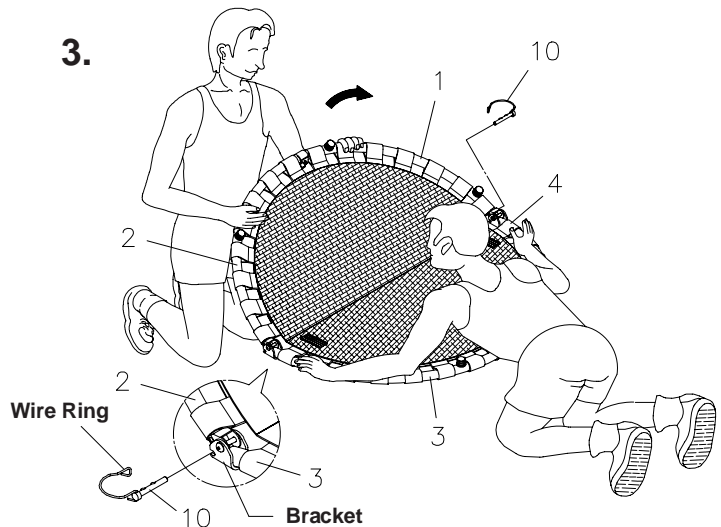
**STOP!** ALWAYS USE TWO OR MORE STRONG PEOPLE TO UNFOLD OR FOLD THE INMOTION TRAMPOLINE. FAILURE TO USE TWO OR MORE STRONG PEOPLE MAY ALLOW THE RAILS TO SPRING BACK INTO THE FOLDED POSITION AND STRIKE SOMEONE WHICH CAN CAUSE SERIOUS BODILY INJURY OR DEATH.

**STEP 3:** To prevent the trampoline from snapping into the folded position, push down the four **RAILS**. Then unhook the Wire Ring from the **SECURE PINS(10)** and turn the pins to a flat position to remove the pins. Firmly grasp both sides of the trampoline and fold the trampoline upward, the trampoline will fold upward at the **BRACKETS** as shown in illustration 3.

2.



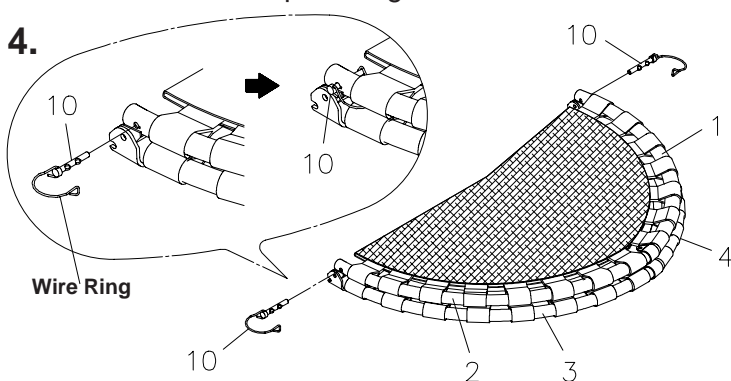
3.



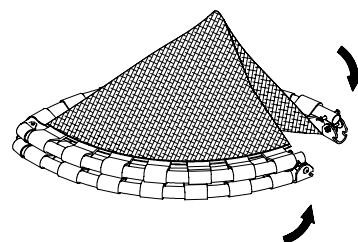
**STEP 4:** Refer to illustration 4. Set the position of the **SECURE PINS(10)** as shown. lift up the **RAILS(1, 2)** and Insert the **SECURE PINS(10)** back to the **RAILS(1, 2)**, and hook the Wire Rings onto the pins from the bottom of the **RAILS(1, 2)**.

**STEP 5:** Fold the trampoline again as shown in illustration 5.

4.



5.





---

## USE INSTRUCTIONS

### **WARNING**

1. **ALWAYS USE TWO OR MORE STRONG PEOPLE TO UNFOLD OR FOLD THE INMOTION TRAMPOLINE. FAILURE TO USE TWO OR MORE STRONG PEOPLE MAY ALLOW THE RAILS TO SPRING BACK INTO THE FOLDED POSITION AND STRIKE SOMEONE WHICH CAN CAUSE SERIOUS BODILY INJURY OR DEATH.**
2. DO NOT attempt or allow somersaults. Landing on the head or neck can cause serious injury, paralysis, or death, even when landing in the middle of the bed.
3. Do not allow more than one person on the trampoline. Use by more than one person at the same time can result in serious injuries.
4. Use trampoline only with mature, knowledgeable supervision.
5. This trampoline is not recommended for children.
6. Inspect the trampoline before each use. Make sure the frame padding is correctly and securely positioned. Replace any worn, defective, or missing parts.
7. Climb on and off the trampoline. It is a dangerous practice to jump from the trampoline to the floor or ground when dismounting, or to jump onto the trampoline when mounting. Do not use the trampoline as a springboard to other objects.
8. Stop bounce by flexing knees as feet come in contact with the trampoline bed. Learn this skill before attempting others.
9. Learn fundamental bounces and body positions thoroughly before trying more advanced skills. A variety of trampoline activities can be carried out by performing the basic fundamentals in various series and combinations, performing one fundamental after another, with or without feet bounces between them.
10. Avoid bouncing too high. Stay low until bounce control and repeated landing in the center of the trampoline can be accomplished. Control is more important than height.
11. While keeping the head erect, focus eyes on the trampoline toward the perimeter. This will help control bounce.
12. Avoid bouncing when tired. Keep turns short.
13. Properly secure the trampoline when not in use. Protect it against unauthorized use. Protect it against use by children.
14. Keep objects away which could interfere with the performer. Maintain a clear area around the trampoline.
15. Do not use the trampoline while under the influence of alcohol or drugs.
16. For additional information concerning the trampoline equipment, contact the manufacturer.
17. For information concerning skill training, contact a certified trampoline instructor.
18. Bounce only when the surface of the bed is dry. Wind or air movement must be calm to gentle. The trampoline must not be used in gusty or severe winds.
19. Read all instructions before using the trampoline. Warnings and instructions for the care, maintenance, and use of the trampoline are included to promote safe, enjoyable use of this equipment.

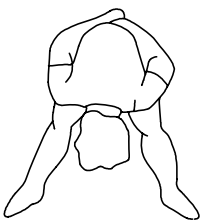
---

## WORKOUT PROGRAM

**Stretching** Stretching while your muscles are warm after a proper warm-up and again after your strength or aerobic training session is very important. Muscles stretch more easily at these times because of their elevated temperature, which greatly reduces the risk of injury. Stretches should be held for 15 to 30 seconds. Do not bounce.

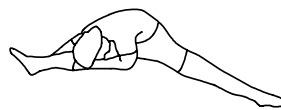
### Suggested Stretching Exercises

(Perform stretches slowly)



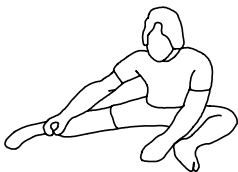
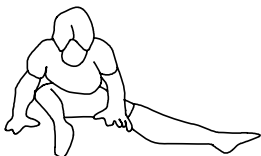
#### Lower Body Stretch

Place feet shoulder-width apart and lean forward. Keep this position for 30 seconds using the body as a natural weight to stretch the backs of the legs. **DO NOT BOUNCE!** When the pull on the back of the legs lessens, try a lower position gradually.



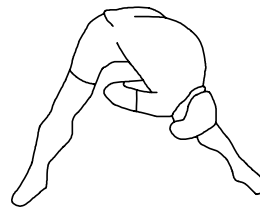
#### Floor Stretch

While sitting on the floor, open the legs as wide as possible. Stretch the upper body toward the knee on the right leg by using your arms to pull your chest to your thighs. Hold this stretch 10 to 30 seconds. **DO NOT BOUNCE!** Do this stretch 10 times. Repeat the stretch with the left leg.



#### Bent Torso Pulls

While sitting on the floor, have legs apart one leg straight and one knee bent. Pull the chest down to touch the thigh on the leg that is bent and twist at the waist. Hold this position at least 10 seconds. Repeat 10 times on each side.



#### Bent Over Leg Stretch

Stand with feet shoulder-width apart and lean forward as illustrated. Using the arms, **gently** pull the upper body towards the right leg. Let the head hang down. **DO NOT BOUNCE!** Hold the position a minimum of 10 seconds. Repeat pulling the upper body to the left leg. Do this stretch several times slowly.

**Remember always to check with your physician before starting any exercise program.**

---

## WARM-UP AND COOL-DOWN

**Warm-up** The purpose of warming up is to prepare your body for exercise and to minimize injuries. Warm up for two to five minutes before strength-training or aerobic exercising. Perform activities that raise your heart rate and warm the working muscles. Activities may include brisk walking, jogging, jumping jacks, jump-rope, and running in place. Below are specific warm-up exercises for the trampoline workout.

**Cool-Down** The purpose of cooling down is to return the body to its normal, or near-normal, resting state at the end of each exercise session. A proper cool-down slowly lowers your heart rate and allows blood to return to the heart. Your cool-down should include the previously mentioned stretches and the same warm-up exercises listed below.

### Warm-up and Cool-down Exercises

(Do each movement 10 times)

#### Contact Bounce

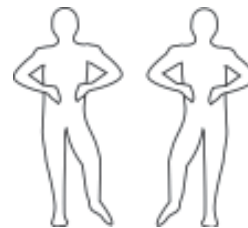
Place your feet shoulder-width apart and bend at the knees. Place your hands on your waist. Start bouncing very gently without your feet leaving the mat. This movement is to get you comfortable with being on the mat.



Contact Bounce

#### Foot Tap

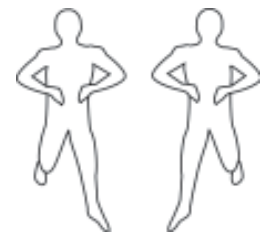
While in the Contact Bounce position, shift your weight towards the right and tap your left foot out to the side. Bring your left foot back to shoulder width. Shift your weight to the left tap your right foot out to the side. Repeat the movement back and forth.



Foot Tap

#### Hamstring Curls

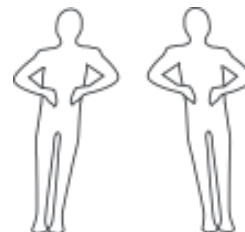
While bouncing, shift your weight to the right and bring your left foot up to your left buttock. Bring your left foot down and shift your weight to the left and bring your right foot up to your right buttock. Repeat the movement back and forth.



Hamstring Curls

#### Side To Side

In this movement, place both feet together and bounce from one side of the mat to the other side of the mat. Repeat the movement back and forth.



Side To Side

#### Jog in Place

While standing in the center of the mat, jog in place as you would on the ground.

#### Jog Bounce

While jogging in place, bounce twice on one leg before switching to the other leg.

---

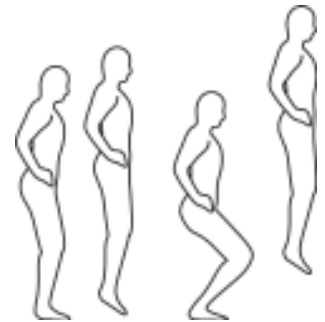
## BASIC WORKOUT

### Basic Workout Exercises

(Do each movement 10 times)

#### Contact Bounce, Big Bounce

Place your feet shoulder-width apart and bend at the knees. Place your hands on your waist. Start bouncing very gently without your feet leaving the mat. On your second bounce, bounce high enough that your feet leave the mat; only bounce as high as you feel comfortable bouncing. Continue to alternate your bounces back and forth. A variation can be done by raising your forearms as if you are doing biceps curls.



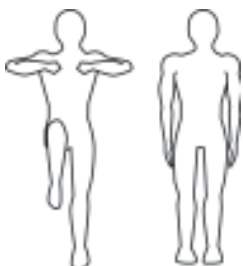
#### Knee Raises

While in the Contact Bounce position, alternately raise your right and left knees to just above waist height. Repeat the movement back and forth. You can add your own variations to this movement such as raising your arms out to the sides or to the front.



#### Jumping Jacks

With your feet together in the center of the mat, simultaneously bounce and land with your feet shoulder width apart. At the same, raise your arms out to the sides and overhead. Then, bounce and land with your feet back together and your arms resting at your sides. Repeat the movement.



#### Upright Row

While in the Contact Bounce position, alternately raise your knees to just above waist height. At the same time, perform an upright row with your arms to chin height each time you raise a knee. Repeat the movement.



#### Twist Bounce

With your feet together in the center of the mat bounce and twist your lower body to the right, simultaneously twisting your upper body to the left. Then bounce and twist your lower body to the left, simultaneously twisting your upper body to the right. Repeat the movement.

---

## **BASIC WORKOUT** (continued)

### **Basic Workout Program**

#### **Trampoline Warm-Up**

*Do each exercise 10 times*

1. Contact Bounce
2. Foot Tap
3. Hamstring Curls
4. Side to Side
5. Contact Bounce
6. Jog in Place
7. Jog Bounce
8. Jog in Place
9. Contact Bounce

#### **Trampoline Cool Down**

*Do each exercise 10 times*

1. Contact Bounce
2. Jog in Place
3. Jog Bounce
4. Jog in Place
5. Contact Bounce
6. Side to Side
7. Hamstring Curls
8. Foot Tap
9. Contact Bounce

#### **Basic Workout**

*Do each exercise 10 times*

1. Contact Bounce, Big Bounce  
(Hands on waist)
2. Contact Bounce, Big Bounce  
(Hands, Triceps/biceps movement)
3. Jog in Place
4. Knee Raises (Hands and Shoulder movement)
5. Jumping Jacks
6. Upright Row
7. Jog in Place
8. Front / Back jumps (Lateral and Forward shoulder raise)
9. Twist Bounce
10. Knee Raises (Hands on waist)
11. Jog in Place

Licensed Under U.S. Patent 6,237,169B1  
Other Patents Applied and Are Pending

## WARRANTY

Stamina Products, Inc. warrants that this product will be free from defects in materials and workmanship under normal use, service and proper operation for a period of 90 days on the parts and one year on the frame from the date of the original purchase from an authorized retailer. **THIS WARRANTY SHALL NOT APPLY TO ANY PRODUCT WHICH HAS BEEN SUBJECT TO COMMERCIAL USE, ABUSE, MISUSE, ALTERATION OF ANY TYPE OR CAUSE OR TO ANY DEFECT OR DAMAGE CAUSED BY REPAIR, REPLACEMENT, SUBSTITUTION OR USE WITH PARTS OTHER THAN PARTS PROVIDED BY STAMINA PRODUCTS, INC.** Commercial use includes use of the product in athletic clubs, health clubs, spas, gymnasiums, exercise facilities, and other public or semipublic facilities whether or not the product's use is in furtherance of a profit making enterprise, and all other use which is not for personal, family, or household purposes.

To implement this limited warranty, send a written notice stating your name, date, and place of purchase and a brief description of the defect along with your receipt to **Stamina Products, Inc. P.O. Box 1071, Springfield Missouri, USA, 65801-1071** or call us at **1 (800) 375-7520**. If the defect is covered under this limited warranty, you will be requested to return the product or part to us for free repair or replacement at our option. **NO ACTION FOR BREACH OF THIS LIMITED WARRANTY MAY BE COMMENCED MORE THAN ONE (1) YEAR AFTER THE DATE THE ALLEGED BREACH WAS OR SHOULD HAVE BEEN DISCOVERED. NO ACTION FOR BREACH OF ANY IMPLIED WARRANTY MAY BE COMMENCED MORE THAN ONE (1) YEAR AFTER DELIVERY OF THE PRODUCT TO THE PURCHASER.** This limited warranty is not transferable. **IF ANY PART OF THE PRODUCT IS NOT IN COMPLIANCE WITH THIS LIMITED WARRANTY OR ANY IMPLIED WARRANTY, THE REMEDY OF REPAIR OR REPLACEMENT IS THE EXCLUSIVE REMEDY AVAILABLE TO YOU.** In the event that the purchaser makes any claim under this limited warranty or any implied warranty, the Warrantor reserves the right to require the product to be returned for inspection, at the purchaser's expense, to the Warrantor's premises in Springfield, Missouri. Return of the enclosed warranty registration card is not required for warranty coverage, but is merely a way of establishing the date and place of purchase.

Stamina Products, Inc. **SHALL NOT BE LIABLE FOR THE LOSS OF USE OF ANY PRODUCT, LOSS OF TIME, INCONVENIENCE, COMMERCIAL LOSS OR ANY OTHER INDIRECT, CONSEQUENTIAL, SPECIAL OR INCIDENTAL DAMAGES DUE TO BREACH OF THE ABOVE WARRANTY OR ANY IMPLIED WARRANTY.**

This limited warranty is the only written or express warranty given by Stamina Products, Inc. This warranty gives you specific legal rights, and you may also have other legal rights which vary from state to state. **ANY OTHER RIGHT WHICH YOU MAY HAVE, INCLUDING ANY IMPLIED WARRANTY OR MERCHANTABILITY OR FITNESS FOR A PARTICULAR PURPOSE, IS LIMITED IN DURATION TO THE DURATION OF THIS WARRANTY.**

The laws in some jurisdictions restrict the rights of manufacturers and distributors of consumer goods to disclaim or limit implied warranties and consequential and incidental damages with respect thereto. If any such law is found to be applicable, the foregoing disclaimers and limitations of and on implied warranties and consequential and incidental damages with respect thereto shall be disregarded and shall be deemed not to have been made to the extent necessary to comply with such legal restriction.

